

LOC J	DIST —	REVISIONS 変更			
P	LTR	DESCRIPTION	DATE	DWN	APVD
	A	RELEASED	06FEB08	TS	KB

SEE CUSTOMER DWG 9-1437287-8

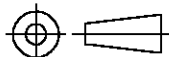

RELEASED FOR PUBLICATION

ALL RIGHTS RESERVED.

BY TYCO ELECTRONICS CORPORATION.

THIS DRAWING IS UNPUBLISHED.

© COPYRIGHT

DIMENSIONS: 単位： 特 mm TOLERANCES UNLESS OTHERWISE SPECIFIED: 一般公差 0 PLC ± - 1 PLC ± - 2 PLC ± - 3 PLC ± - 4 PLC ± - ANGLES ± - 	DWN T.SHINOHARA 06FEB08	MATERIAL 材料 —	FINISH 仕上 —		
	CHK K.BETSUI 06FEB08	 Tyco Electronics Corporation Kawasaki, Japan			
	APVD K.BETSUI 06FEB08				
	PRODUCT SPEC 製品規格 —	NAME 名称 SUPER SEAL CONNECTOR (UPPER LOCK) CAP HOUSING ASSY 26POS.			
APPLICATION SPEC 取付適用規格 —	SIZE A4	CAGE CODE 00779	DRAWING NO 番号 6473427-1	RESTRICTED TO —	
WEIGHT —	CUSTOMER DRAWING		SCALE 尺度 —	SHEET 1 of 1	REV A